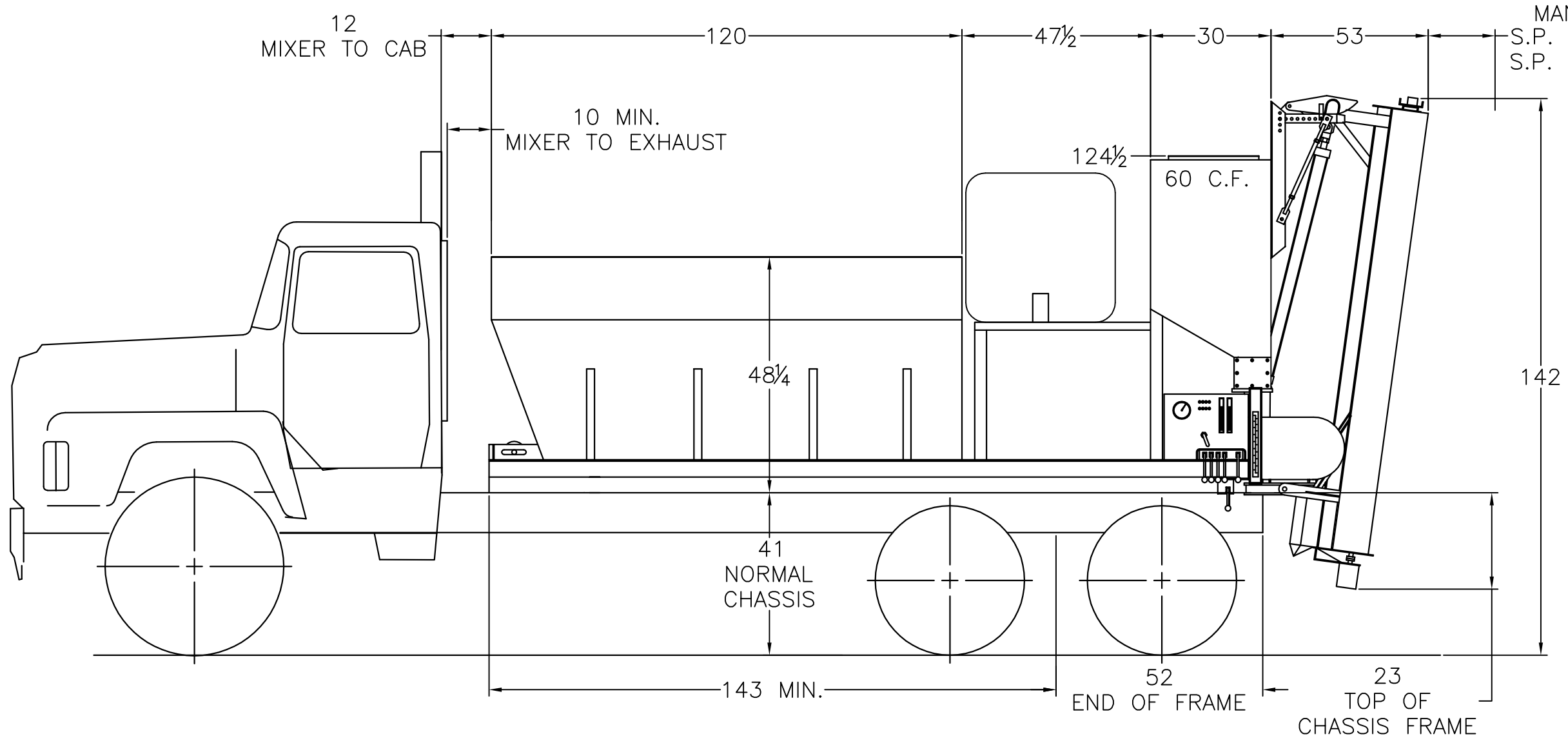
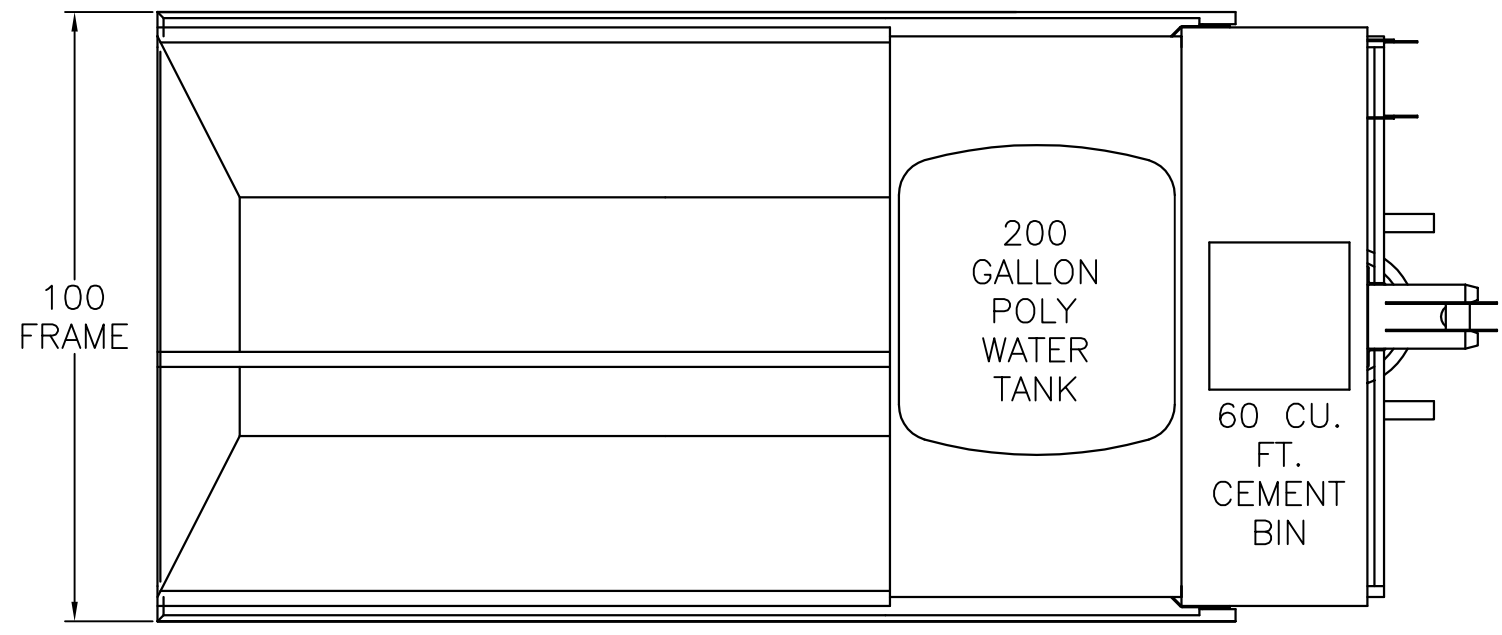


STONE BIN VOLUME
76 CU. FT.
51%

TOTAL BIN VOLUME
149 CU. FT.

SAND BIN VOLUME
73 CU. FT.
49%



MANUAL CHUTES = 9 1/2
S.P. SWIVEL CHUTES = 10
S.P. POWER CHUTES = 14

VMMB VOLUME
136 CU. FT.

ZIMMERMAN INDUSTRIES INC.
EPHRATA, PA. — 717-733-8188

TOLERANCES (EXCEPT AS NOTED)	400N1 SERIES LAYOUT		
DECIMAL ± .001"	4 YARD CONFIGURATION		
FRACTIONAL ± 1/32"	DRAWN BY: TMH	SCALE: N/A	
ANGULAR ± 1°	CHK'D BY:	DATE: 30 APR 03	DRAWING NO.: 404N1

The information contained in this drawing is the sole property of Zimmerman Industries. Any production in part or whole without written permission of Zimmerman Industries is prohibited.